

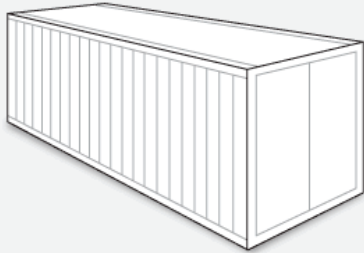
# Sea Container Specifications

## Shipping Containers Sizes



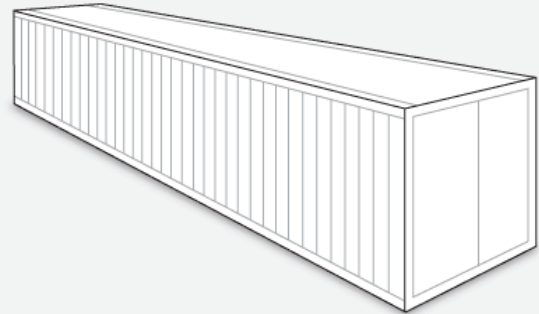
### Dry Containers

#### 20 Foot Standard Dry Container



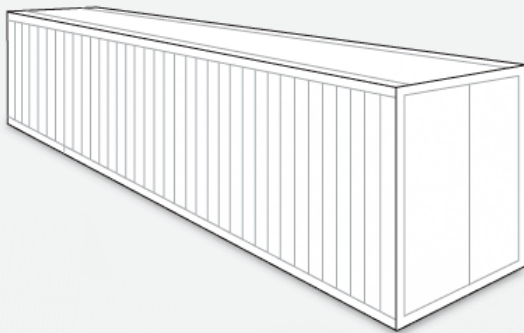
Length	Width	Height	Capacity	Max Payload
19' 5"	7' 8"	7' 9"	1,164 cu ft	62,038 lbs
(5.89m)	(2.35m)	(2.39m)	(33m <sup>3</sup> )	(28.14 tons)

#### 40 Foot Standard Dry Container



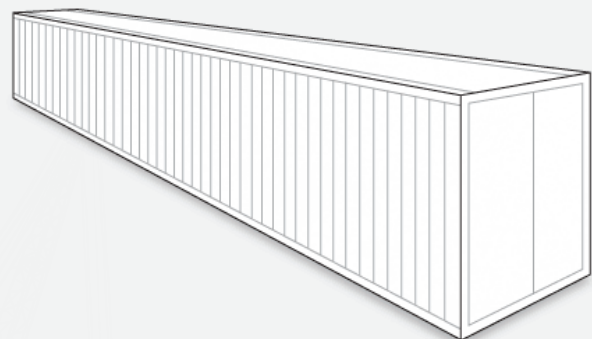
Length	Width	Height	Capacity	Max Payload
39' 6"	7' 8"	7' 9"	2,328 cu ft	63,272 lbs
(12.03m)	(2.35m)	(2.39m)	(67.34m <sup>3</sup> )	(28.7 tons)

#### 40 Foot High Cube Dry Container



Length	Width	Height	Capacity	Max Payload
39' 6"	7' 8"	8' 10"	2,696 cu ft	62,831 lbs
(12.03m)	(2.35m)	(2.69m)	(76.37m <sup>3</sup> )	(28.5 tons)

#### 45 Foot High Cube Dry Container



Length	Width	Height	Capacity	Max Payload
44' 6"	7' 8"	8' 10"	3,040 cu ft	56,620 lbs
(13.55m)	(2.35m)	(2.69m)	(86.1m <sup>3</sup> )	(25.68 tons)

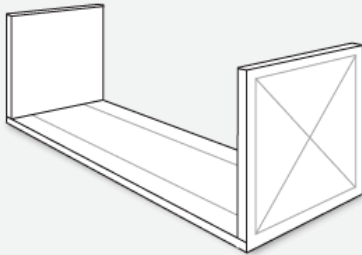


Add: Doctor Sótero del Río #326, Oficina #1203 Santiago Centro.  
 Telefono: +56 (02) 22355627 Fax: +56 (02) 2363292 E-mail: customerservice@partnerslogistics.cl

### Flat Racks

#### 20 Foot Flat Rack Container

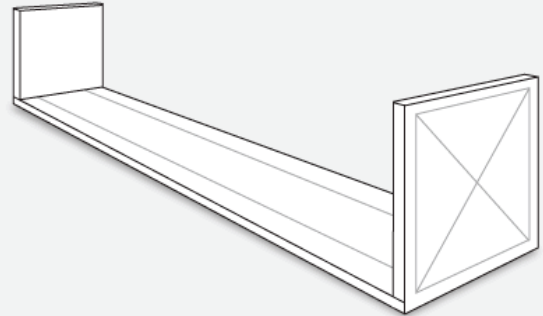
For oversized or heavy commodities



Length	Width	Height	Capacity	Max Payload
18' 6"	7' 3"	7' 4"	Vary	82,011 lbs
(5.64m)	(2.22m)	(2.35m)		(37.2 tons)

#### 40 Foot Flat Rack Container

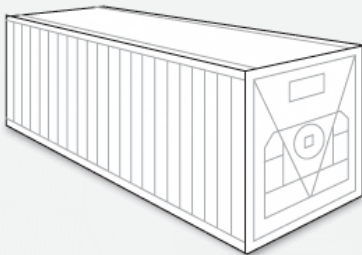
For oversized or heavy commodities



Length	Width	Height	Capacity	Max Payload
38' 7"	7' 3"	6' 5"	Vary	87,788 lbs
(11.77m)	(2.22m)	(1.95m)		(39.82 tons)

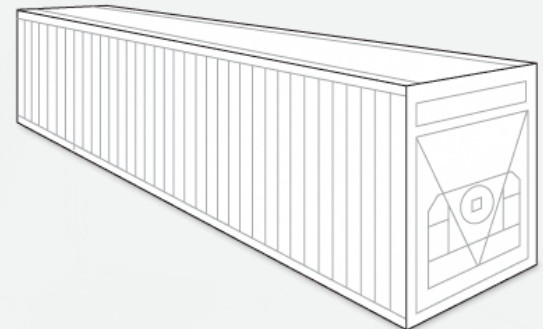
### Refrigerated

#### 20 Foot Reefer Container



Length	Width	Height	Capacity	Max Payload
18'	7' 6"	7' 5"	1,016 cu ft	60,472 lbs
(5.5m)	(2.29m)	(2.27m)	(28.8m <sup>3</sup> )	(27.43 tons)

#### 40 Foot High Cube Reefer Container



Length	Width	Height	Capacity	Max Payload
38'	7' 6"	8' 4"	2,422 cu ft	68,866 lbs
(11.58m)	(2.29m)	(2.54m)	(68.6m <sup>3</sup> )	(30.33 tons)

# Sea Container Specifications

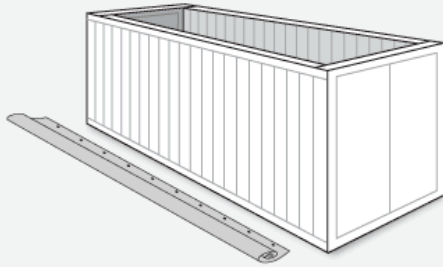
## Shipping Containers Sizes



### Open Racks

#### 20 Foot Open Top Container

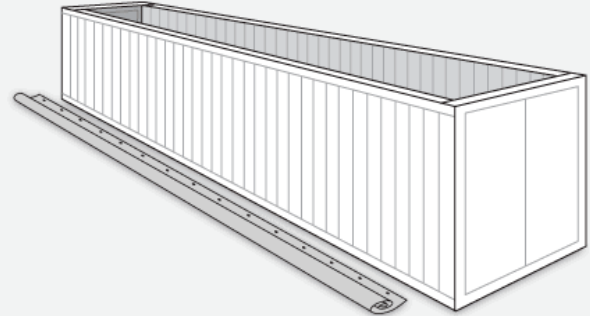
For oversized or heavy commodities



Length	Width	Height	Capacity	Max Payload
19' 4" (5.89m)	7' 8" (2.35m)	7' 8" (2.35m)	1,141 cu ft (32.31 m <sup>3</sup> )	62,148 lbs (28.19 tons)

#### 40 Foot Open Top Container

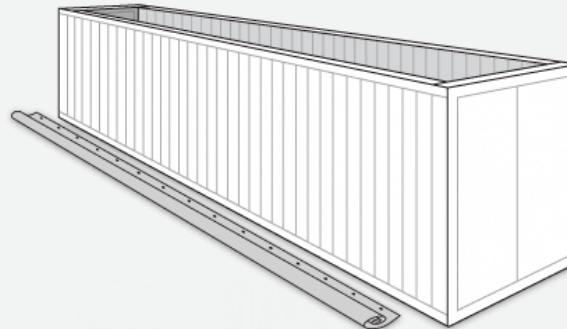
For oversized or heavy commodities



Length	Width	Height	Capacity	Max Payload
39' 5" (12.03m)	7' 8" (2.35m)	7' 8" (2.35m)	2,259 cu ft (63.97 m <sup>3</sup> )	58,160 lbs (26.17 tons)

#### 40 Foot High Cube Open Top Container

For oversized or heavy commodities



Length	Width	Height	Capacity	Max Payload
39' 5" (12.03m)	7' 8" (2.35m)	8' 10" (2.69m)	2,652 cu ft (75.1 m <sup>3</sup> )	62,170 lbs (28.2 tons)

Add: Doctor Sótero del Río #326, Oficina #1203 Santiago Centro.  
 Telefono: +56 (02) 22355627 Fax: +56 (02) 2363292 E-mail: customerservice@partnerslogistics.cl